

# **SLANE**

## **TRACK DUMPER**



# **HT1000**

[www.slanetrac.com](http://www.slanetrac.com)



- • • **High Tip**
- • • **Joystick Control**
- • • **1 Tonne Capacity**
- • • **Braked Drive Motors**
- • • **Yanmar Diesel Engine**
- • • **Narrow Access 750mm wide**

### **HYDRAULIC DRIVE**

**No Clutches**

**No Cables**

**No Drive Belts**

# SLANE

## TRACK DUMPER



# HT1000

### TECHNICAL SPECIFICATIONS:

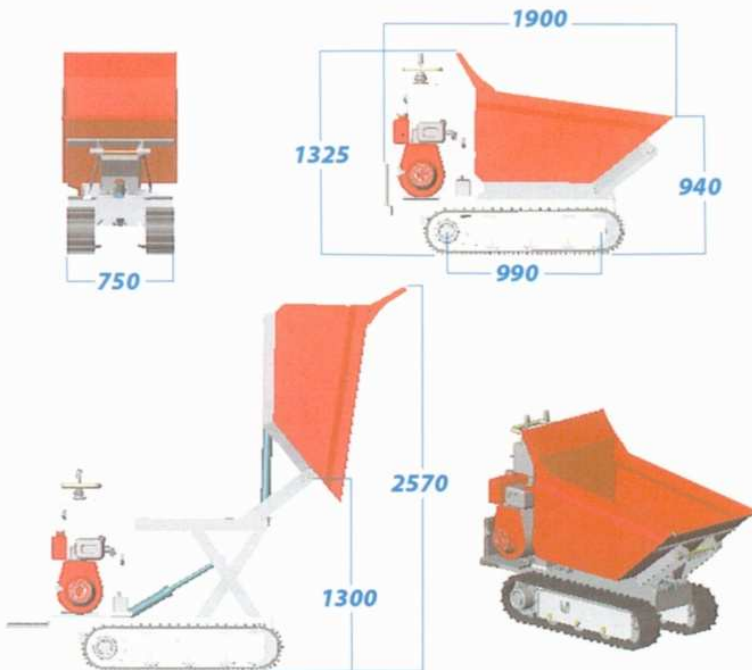
**Engine:** Yanmar Diesel  
**Power:** (7.4 KW) 10 H.P.  
**Starting:** Electric  
**Transmission:** Hydraulic  
**Speed:** 4.5 KM/H  
**Gradeability:** 36% to 50

**Undercarriage:** Rubber tracks c/w planetary drive & negative brakes

**Operating Pressure:** (170 Bar) 2440 P.S.I.  
**Max Pump Flow:** 36L/min  
**Fuel Tank:** 5.5 LT  
**Hydraulic Oil Tank:** (30 LT)  
**Load Capacity:** 1 tonne  
**Weight:** 600 KG

**Unlanened machine** -----  
**Weight:** 600kg  
**Contact Pressure:** 0.25 kg/cm<sup>2</sup>

**Lanened machine** -----  
**Weight:** 1600kg  
**Contact Pressure:** 0.55 kg/cm<sup>2</sup>



**SLANETRAC**